

History

The E-Klips® spring steel fasteners range has been manufactured in the UK for over 25 years. Formerly known as Furse Fastway they offer a quick, easy and reliable method of fixing services to steelwork without the need for bracket making, drilling holes or the use of nuts and bolts.

Previously sold under the Furse Fastway brand, the E-Klips® electrical and mechanical fixing systems have now been integrated into the Thomas & Betts product portfolio.

Applications

E-Klips® spring steel fasteners range provides a fixing for almost every application including:

- Cables
- Trunking
- Cable tray
- Conduit
- Pipework
- Ducting
- Light fittings
- Suspended ceilings

Reduced installation

Every E-Klips® spring steel fastener has been developed to reduce installation time. They are easy to install using a hammer, screwdriver, spanner or pliers.



Quality Assurance

E-Klips® is registered for BS EN ISO 9001 and has a comprehensive test and inspection programme so that all products comply with our specifications, whether they are of our own manufacture or from a quality approved source. This is to ensure that all order requirements are met. Any further details required on quality are available on request.



Protection against corrosion

The majority of E-Klips spring steel fasteners are zinc coated. The clips have a zinc silver coloured sacrificial coating which deposits two layers of zinc and an application of a waterproof topcoat. This gives a high level of protection against first white corrosion and then red rust according to ASTM-B695-90 or equivalent. The corrosion resistance is measured by a salt spray test conforming to ASTM-B-117-90, DIN 50021 or equivalent. E-Klips zinc plated products are salt spray rated to a minimum of 600 hours and are coded F8+.



Key to finishes and applications:

- F1 Electroplated zinc finish, generally 8-12 microns thick with chromate coating, approximately 72 hours salt spray resistance ASTM-B117-90, DIN 50021, suitable for indoor, non-corrosive environments.
- F2 Galvanised, generally hot dipped to a thickness of 50-70 microns, suitable for indoor and outdoor, humid and mildly corrosive environments.
- F3 Stainless steel, suitable for indoor and outdoor and mildly corrosive environments.
- F4 Painted finish to compliment indoor applications.
- F5 Black phosphate finish in accordance with BS3189 Class 1 suitable to achieve 72 hours salt spray rating for indoor, non-corrosive environments.
- F6 Self colour, unfinished and unprotected product for indoor applications.
- F7 Flexible plastic coating with good chemical and corrosion resistance to protect the base material.
- F8+ Zinc silver coloured sacrificial coating (Z600+), enhanced by an application of waterproof topcoat giving a corrosion resistance of more than 600 hours, for use in indoor and outdoor humid and mildly corrosive environments. Coating is completely chromium free.

F.M.R.C. Approval



F.M. approval indicates that the product has been tested and approved by the Factory Mutual Research Corporation (F.M.R.C.) for use in buildings where fire regulations and environmental concerns would apply.

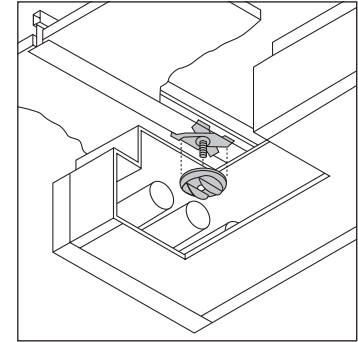
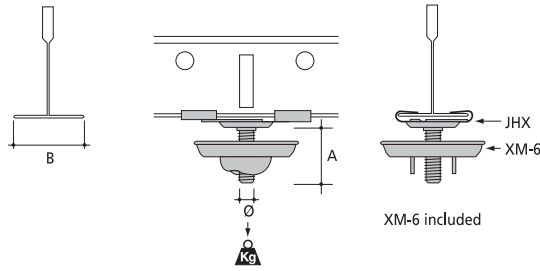
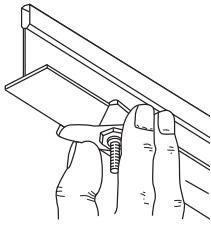


Load Rating

The load rating of E-Klips® fasteners is expressed as a maximum static load limit. This is the stationary vertical load limit for a fixing product and incorporates a significant safety factor. Where fasteners are combined, the load rating is determined by the lowest rated fastener. If the load rating of the steel work is less than that of the fastener, this becomes the maximum static load rating for the system. For further information please contact the sales office.

Materials

E-Klips® products are manufactured using steel in accordance to BSEN1449 - part 1.15 CS70. Furthermore products are annealed and oiled. All components are hardened and aust tempered using the shaker hearth furnace method to give a final hardness reading of 400-450 HV-10 Vickers.

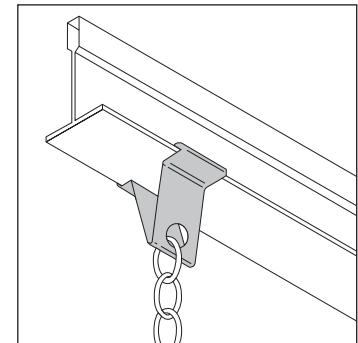
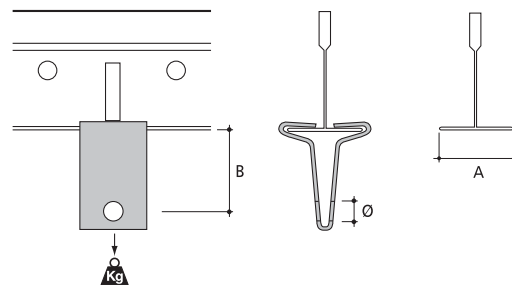


Ordering Information

PRODUCT REF.	Ø [mm]	A [mm]	B [mm]	LOAD RATING [kg]	MATERIAL FINISHES*	QUANTITY [pieces]
JHX-16SW	M6	16	25	9	F4	100
JHX-16S	M6	16	25	22	F8+	100
JHX-38S	M6	38	25	22	F8+	100
JHX-50S	M6	50	25	22	F8+	100
JHX-72S	M6	72	25	22	F8+	100
JH-15SW	M6	15	15	22	F4	100

JH-15SW in White

Suspended ceiling clips

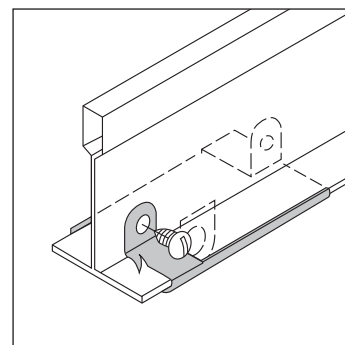
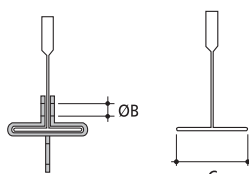
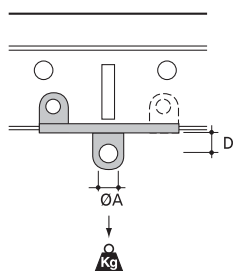
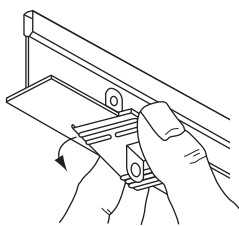


Ordering Information

PRODUCT REF.	Ø [mm]	A [mm]	B [mm]	LOAD RATING [kg]	MATERIAL FINISHES*	QUANTITY [pieces]
LH-25	7	25	20	18	F1	100
LH-25W	7	25	20	18	F4	100

LH-25W in White

* See page 126 for description

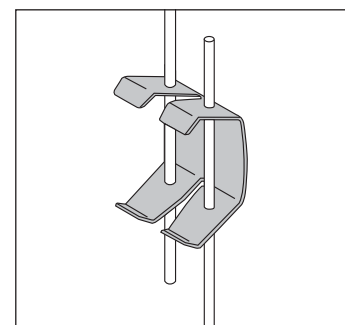
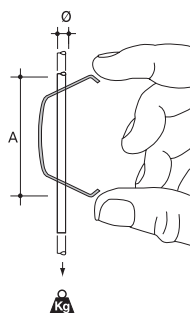
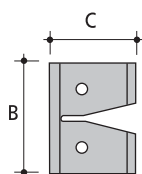


Ordering Information

PRODUCT REF.	ØA [mm]	ØB [mm]	C [mm]	D [mm]	LOAD RATING [kg]	MATERIAL FINISHES*	QUANTITY [pieces]
KH-6W	6	3	25	7	22	F4	100

KH-6W in White

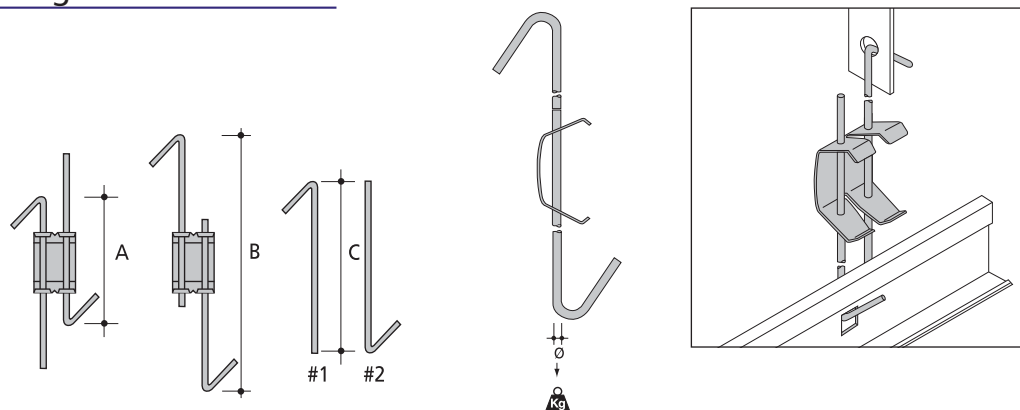
Suspended ceiling hangers



Ordering Information

PRODUCT REF.	Ø [mm]	A [mm]	B [mm]	C [mm]	LOAD RATING [kg]	MATERIAL FINISHES*	QUANTITY [pieces]
ADS-3	3	55	30	18	100	F1	100
ADS-4	4	55	30	18	100	F1	100

* See page 126 for description



Ordering Information

PRODUCT REF.	Ø [mm]	A [mm]	B [mm]	C#1 [mm]	C#2 [mm]	LOAD RATING [kg]	MATERIAL FINISHES*	QUANTITY [pieces]
ADSH10-30	4	100	300	190	190	100	F1	25
ADSH30-60	4	300	600	340	340	100	F1	25
ADSH60-100	4	600	1000	540	540	100	F1	25
ADSH100-125	4	1000	1250	990	340	100	F1	25
ADSH125-150	4	1250	1500	1040	540	100	F1	25
ADSH150-175	4	1500	1750	1290	540	100	F1	25
ADSH175-200	4	1750	2000	1540	540	100	F1	25

* See page 126 for description